

VISUAL COMFORT & Co.

8737401-12: Large One Light Outdoor Wall Lantern



Dimensions:

Diameter:	14.0"	Extends:	21.125'
Width:	14.0"	Extends Max:	27.125'
Height:	13.5"	Wire:	6.5" (color;Black/White)
Weight:	3.4 lbs.	Mounting Proc.:	Cap Nuts
		Connection:	Mounted To Box

Bulbs:

1 - Medium A19 75.0w Max. 120v Not included

Features:

- Dark Sky friendly. Designed to emit no light above the 90° horizontal plane. Photometry unavailable.
- Easily converts to LED with optional replacement lamps
- Meets Title 24 energy efficiency standards
- Title 24 compliant if used with Joint Appendix (JA8) approved light bulbs listed in the California Energy Commission Appliance database.

Material List:

1 Body - Aluminum - Black

Safety Listing:

Safety Listed for Wet Locations

Instruction Sheets:

English (8537401 8637401 8737401 8837401)
Trilingual (English, Spanish, and French) (8537401 8637401 8737401 8837401)
Trilingual (English, Spanish, and French) (990W8_37401-BRL)

Collection: Barn Light

Featured in the decorative Barn Light collection

1 A19 Medium 75 watt light bulb

Dark sky friendly. Designed to emit no light above the 90° horizontal plane. Photometry unavailable.

Easily converts to LED with optional replacement lamps

Meets Title 24 energy efficiency standards

UPC #:785652069390

Finish: Black (12)

Backplate / Canopy Details:

Type	Height / Length	Width	Depth	Diameter	Outlet Box Up	Outlet Box Down
Back Plate			1.25	5.0	5.25	8.25

Shipping Information:

Package Type	Product #	Quantity	UPC	Length	Width	Height	Cube	Weight	Fr. Class	UPS Ship
Individual	8737401-12	1	785652069390	20.5	16.5	16.38	3.21	5.3	0	Yes
Master Pack	8737401-12	0	10785652069397							No
NJ Pallet		24		48.0	40.0	70.0	77.78	127.0		No
NV Pallet		24		48.0	40.0	70.0	77.78	85.0		No

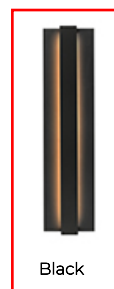
PRODUCT FEATURES

- From the brand formerly known as Tech Lighting
- Powerful, long lasting (L70, 70,000 hours) dimmable LED tested against the highest quality standards to ensure it delivers consistent LED performance and color over time.
- Die-cast aluminum structure, powder coat finish and stainless steel hardware for robust durability in harsh elements.
- Wet listed, IP65 (International Protection rating indicating resistance to dust and water. Suitable and safe for commercial use).
- Mounts vertically only for wet location.
- Available in modern finishes

LAMPING



Black



Black



Silver

ORDERING INFORMATION

7000WWND FINISH

B BLACK

LAMP

-LED LED 80 CRI 3000K 120V
-LED277 LED 80 CRI 3000K 277V

7000WWND _____

JOB NAME _____

NOTES _____

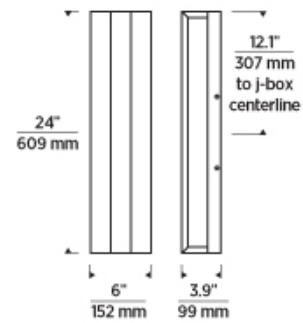


WINDFALL OUTDOOR WALL

VISUAL COMFORT & Co.

SPECIFICATIONS

PRIMARY MATERIAL	Aluminum
SHADE MATERIAL	Aluminum
NET WEIGHT	5 lbs
HEIGHT	24in
WIDTH	3.9in
LENGTH	6in
WET LISTED	
DAMP LISTED	
DRY LISTED	
GENERAL LISTING	ETL Listed
INCLUDES	



LAMPING SPECIFICATIONS

	LED LAMP	INTEGRATED LED	NON LED	NO LAMP
DELIVERED LUMENS		184.0		
WATTS		20		
MAX WATTAGE PER BULB		20W		
		120V ELV		
		277V ELV		
CCT		3000K		
CRI		80 CRI		
LED LIFETIME				
L70		>60000		
AVERAGE BULB HOURS				
FIELD SERVICEABLE LED				
LAMP BASE		Integrated LED		
LAMP SHAPE		Integrated LED		
LAMP INCLUDED?		True		
WARRANTY**		5 Years		

* Dimming information available at www.techlighting.com/Downloads#dimming

** Visit techlighting.com for specific warranty limitations and details.

T20 / T24 / JA8 INFORMATION

	Integrated LED	Replacement LED Lamp	No Lamp *
This product can be used to comply with California Building Energy Efficiency Standards 2016 Title 24 Part 6 / JA8.	Yes		
This product can be used to comply with California Appliance Efficiency Standards 2016 Title 20 and may be shipped to and sold in California.	N/A		

* If a light fixture or component does not include a lamp or light source, it is the responsibility of the customer to select a lamp that meets the T24 and T20 requirements.



Kaidan Square Aperture

12V STEP LIGHT

DESIGNER: SEAN LAVIN

The Kaidan Square Aperture 12V Step Light features a concealed light source that provides gentle, downward illumination to enhance safety and ambiance in outdoor environments. Integrated amber LED light engine is ideal for coastal as well as spectrum-sensitive applications. Expertly crafted from durable brass, copper, or aluminum, Kaidan is designed for seamless integration into steps and walls and fits into any standard single-gang junction box. Available in five finishes, it offers a sleek and versatile lighting solution for both residential and commercial settings.



PROJECT:

Kaidan Square Aperture

12V STEP LIGHT

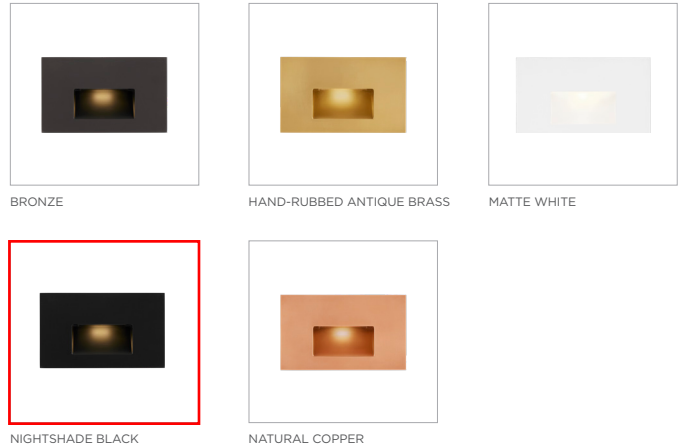
DESIGNER: SEAN LAVIN

SPECIFICATIONS

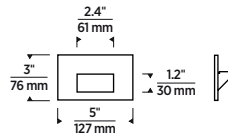
DIMENSIONS	
Fixture Height:	3" / 76 mm
Fixture Width:	5" / 127 mm
MATERIAL	
Material	Brass, Copper, or Aluminum**
Finish	Bronze, Hand-Rubbed Antique Brass, Matte White, Natural Copper, or Nightshade Black
Weight	1 lb
LAMPING	
Lamp Type	Integrated LED
Lumens	42
Watts	3.3W
Voltage	12V
Lead Wire	18 AWG, 8"
Dimming	MLV
CCT	Turtle (Amber 585-600nm)
Field Serviceable LED	Yes
Operating Temperature	-30°C min - 40°C max
LED Lifetime	50,000 hours
WARRANTY	
Lifetime warranty on manufacturer defects in the construction, but normal warranty applies for bulbs, integrated LEDs and living finishes.	

*Aluminum construction is used for Matte White and Nightshade Black Fixtures.

FINISH OPTIONS



DIMENSIONS



ORDERING INFORMATION

PRODUCT	FINISH	LAMP
SL6101 Kaidan Square Aperture 12V Step Light	BZ BRONZE HAB HAND-RUBBED ANTIQUE BRASS MW MATTE WHITE* NC NATURAL COPPER B NIGHTSHADE BLACK*	T1 INTEGRATED LED 3.3W TURTLE (AMBER 585-600NM)

*NIGHTSHADE BLACK AND MATTE WHITE DAMP RATED FOR INDOOR USE.



PRODUCT FEATURES

- From the brand formerly known as Tech Lighting
- Powerful, long lasting (L70, 70,000 hours) dimmable LED tested against the highest quality standards to ensure it delivers consistent LED performance and color over time.
- Die-cast aluminum structure, powder coat finish, and stainless steel hardware for robust durability in harsh elements.
- Mid-century modern design inspiration.
- Wet listed, IP65 (International Protection rating indicating resistance to dust and water. Suitable and safe for commercial use).
- The LED Driver is housed within the junction box. (L. 3.05" | W. 1.5" | H. .98")



LAMPING

Silver



Black

Bronze

Charcoal

Silver

To view all available finish options, please visit techlighting.com

ORDERING INFORMATION

700WSBOW	LENGTH (A)	FINISH	LAMP	VOLTAGE
	6 6"	B BLACK	-LED827 LED 80 CRI 2700K 120V	120
		Z BRONZE	-LED827-277 LED 80 CRI 2700K 277V	277
		H CHARCOAL	-LED830 LED 80 CRI 3000K 120V	
		I SILVER	-LED830-277 LED 80 CRI 3000K 277V	
		W WHITE		

700WSBOW _____

JOB NAME _____

NOTES _____

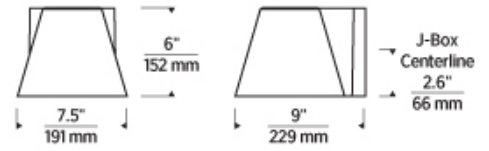


BOWMAN 6 OUTDOOR WALL

VISUAL COMFORT & Co.

SPECIFICATIONS

PRIMARY MATERIAL	Aluminum
SHADE MATERIAL	Aluminum
NET WEIGHT	3.2 lbs
HEIGHT	6in
WIDTH	9in
LENGTH	7.5in
WET LISTED	
DAMP LISTED	
DRY LISTED	
GENERAL LISTING	ETL Listed
INCLUDES	



LAMPING SPECIFICATIONS

	LED LAMP	INTEGRATED LED	NON LED	NO LAMP
DELIVERED LUMENS		1163		
WATTS		47.2		
MAX WATTAGE PER BULB				
		120V ELV 277V ELV		
CCT		2700K 3000K		
CRI		90 CRI		
LED LIFETIME				
L70		>60000		
AVERAGE BULB HOURS				
FIELD SERVICEABLE LED				
LAMP BASE		Integrated LED		
LAMP SHAPE		Integrated LED		
LAMP INCLUDED?		True		
WARRANTY**		5 Years		

* Dimming information available at www.techlighting.com/Downloads#dimming

** Visit techlighting.com for specific warranty limitations and details.

T20 / T24 / JA8 INFORMATION

	Integrated LED	Replacement LED Lamp	No Lamp *
This product can be used to comply with California Building Energy Efficiency Standards 2016 Title 24 Part 6 / JA8.	Yes		
This product can be used to comply with California Appliance Efficiency Standards 2016 Title 20 and may be shipped to and sold in California.	N/A		

* If a light fixture or component does not include a lamp or light source, it is the responsibility of the customer to select a lamp that meets the T24 and T20 requirements.

